

Features

- Universal input 90~264V AC
- Direct UK Fixed Plugtop Adapters
- Approved to UKCA, CE, RoHS
- EN/IEC 62368-1 Safety Approved
- Meets Efficiency Level VI & (EU) 2019/1782
- FCC Class B Certified
- Single Output 5V DC
- OVP, OCP, OTP, SCP



Ideal Power's 15DYS806-xyS-6 6W AC/DC External Adapter UK USB Plugtop Power Supply (PSU) Series are certified to UKCA, CE, RoHS & EN 62368-1/IEC 62368-1 Standards and comply with (EU) 2019/1782, Level VI Efficiency Regulations. These are primarily used in ITE, Audio & Video Industries and customised solutions are available upon request.

Models

Model Number	Output Voltage (V dc)	Output Current (A)	Output Power (W)	Efficiency (%)
15DYS806-050120S-6	5	1.2	6	75

Input Data

	Min	Typical	Max	Units	Notes
Input Voltage	90	--	264	V AC	100-240VAC +/- 10%
Input Frequency	47	--	63	Hz	50-60Hz +/- 5%
Input Current	--	0.3	--	A	
Inrush Current	0	--	60	A	At cold start, 100 / 240V AC
Leakage Current	--	--	0.25	mA	
Energy Consumption			0.1	W	Input 115Vac or 230Vac - no load

Output Data

	Min	Typical	Max	Units	Notes
Output Voltage	--	5	--	%	
Ripple & Noise	--	--	200	mVpp	
Turn-on Delay	--	--	3	S	100 Vac to 240 Vac input & Full load
Hold-up time	5	--	--	S	Full load & 100Vac/60Hz input turn off worst case
Capacitance Load	While input 100~240Vac and capacitance load is 470uF, the adapter can turn on normally and the output is in the rated range.				
Transient Response	the output shall not exceed 10% of the nominal output voltage, load fluctuations: from 20% to 80%, R/S: 0.5A/uS, frequency: 100Hz duration and 8mS at 80%.				

Protection

Over Current Protection	Over Current Point Limited: $I \geq 1.32A$ - Will recover if fault condition is removed
Short Circuit Protection	Continuous short circuit proof. Will recover if fault condition is removed
Over Voltage Protection	Will recover if fault condition is removed

Environmental Data

	Min	Typical	Max	Units	Notes
Operating Temperature	0	--	+45	°C	10%RH to 90%RH
Storage Temperature	-20	--	+80	°C	5%RH to 95%RH non-condensing

Other Information

	Min	Typical	Max	Units	Notes
MTBF	--	50,000	--	hrs	
Dielectric Strength	4242VDC or 3000VAC / 5mA Max / 60second (3 seconds for mass production)				
Dimensions	66.3x49.5x36.5mm				
Output connector	USB				

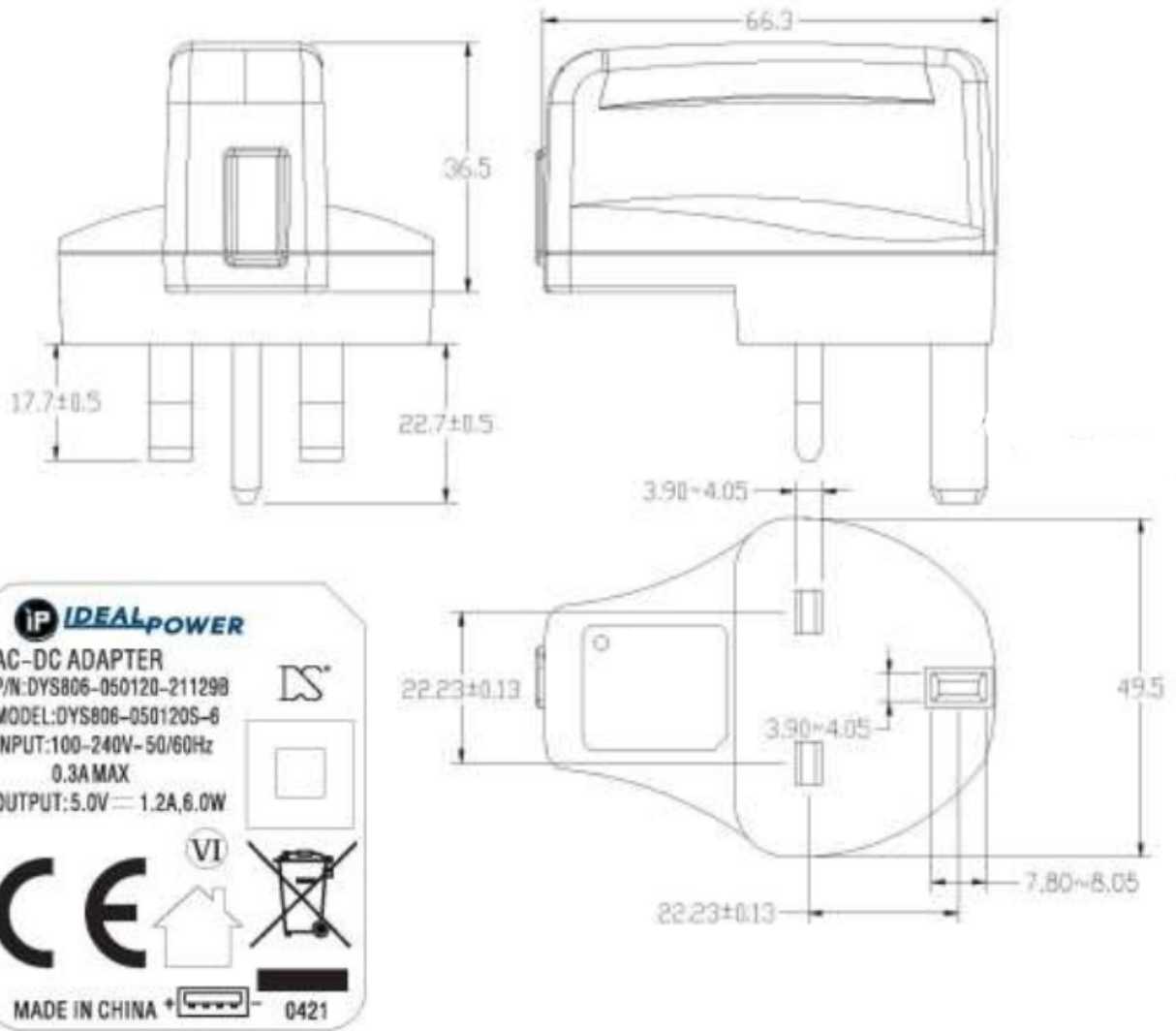
EMI/EMS Standards

	Test Level			
EMI	EN 55032 / FCC Part 15 Class B / AS/NZS CISPR22			
EMS	EN 55035			
ESD	IEC 61000-4-2,	Air discharge +/-8KV, Contact discharge +/-4KV		Pass B
EFT	IEC 61000-4-4,	AC-Input 0.5KV/1KV		Pass A/B
Surge Voltage	IEC 61000-4-5	Differential mode +/-1KV. Common mode +/-2KV		Pass A

Safety Approvals

	Safety Standards
Certifications	UKCA, CE, RoHS
Approvals	IEC/EN 60950-1

Mechanical Drawing & Label



AC - DC